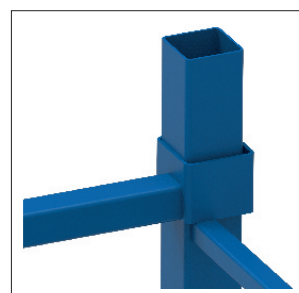
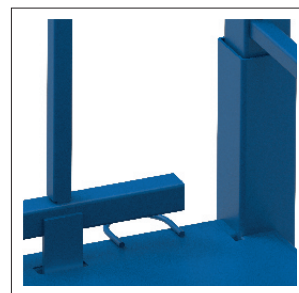
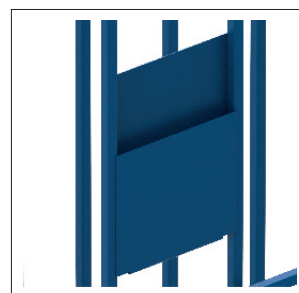


## Universal

Application	Maximum load	Stackability	Coating



DIMENSIONS	LENGTH	WIDTH	HEIGHT
ARMT1/2000	1200	1200	2000



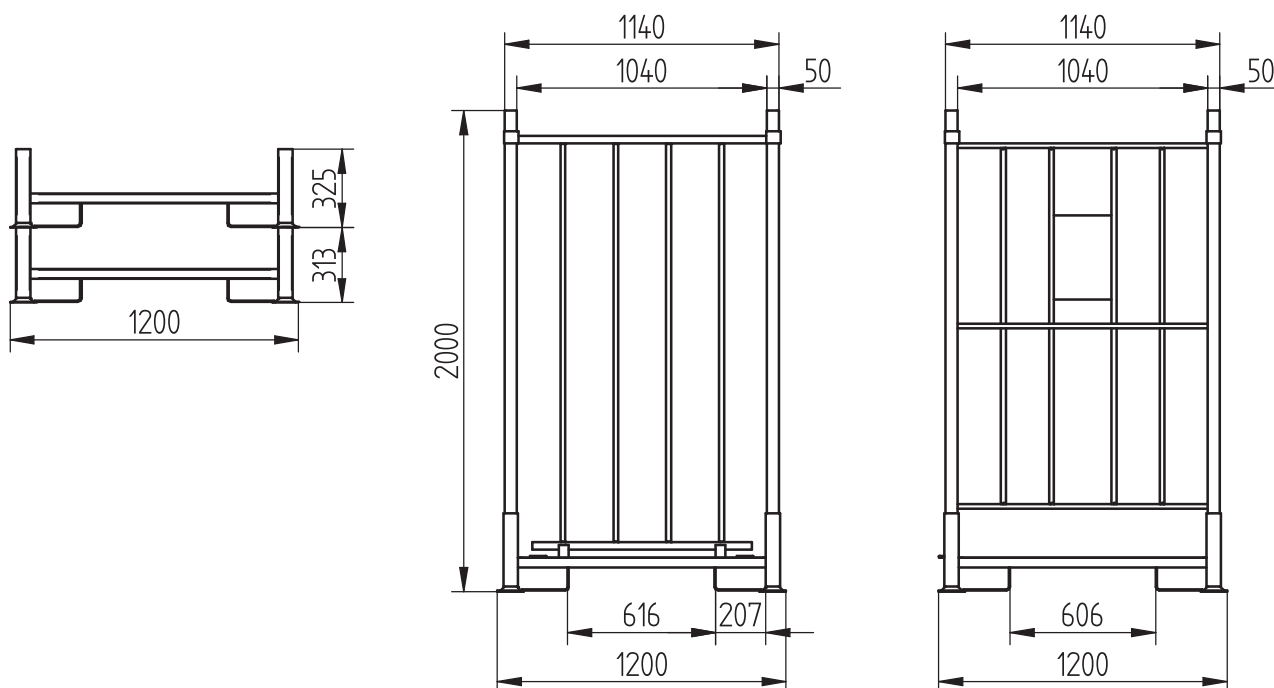
ARCOM sp.j.  
Artur Wilk,  
Robert Zięba

ul. Brzeska 3  
32-765 Rzeszawa,  
Polska

tel: +48 14 696 04 00  
fax: +48 14 696 04 01

info@arcom.net.pl  
www.arcom.net.pl

## TECHNICAL DATA



## ACCESSORIES AND VARIANTS

## TRANSPORT

